

G5P Relay Is Ideal for TV and Audio Equipment Power Supplies, including a High-Sensitivity Model (Power Consumption: 250mW)

- Meets TV-5 standards required for TV and audio equipment power supplies
- The power consumption of the high-sensitivity model is 50% of the standard model
- High impulse withstand surge of 10,000V
- Double insulation construction assures high insulation capability
- UL, CSA, SEMKO, TUV, and SEV approved



Ordering Information

Type	Contact Form	Part Number (semi-sealed)
Standard	SPST-NO	G5P-1A
High-sensitivity	SPST-NO	G5P-1A-H

■ HOW TO ORDER

G5P-1A-X-DC *add coil rating*

X; none = standard, H = high-sensitivity (power consumption: 250mW)

Specifications

■ CONTACT DATA

Type	Standard/High-Sensitivity
Load	Resistive (p.f. = 1)
Rated load	5A at 250 VAC; 5A at 30 VDC
Contact material	AgSnO
Carry current	5A
Max. operating voltage	250 VAC, 30 VDC
Max. operating current	5A
Max. switching capacity	1,250 VA, 150 W
Min. permissible load	100mA, 5 VDC

■ COIL DATA – Standard

Rated Voltage (VDC)	Rated Current (mA)	Coil Resistance (Ω)	Pickup Voltage (----- % of rated voltage -----)	Dropout Voltage	Maximum Voltage	Power Consumption (approx.)
5	106	46.9	75% max.	10% min.	110% max.	530mW
6	94.4	64	75% max.	10% min.	110% max.	530mW
9	58.2	152.8	75% max.	10% min.	110% max.	530mW
12	44.2	273	75% max.	10% min.	110% max.	530mW
24	22.8	1,100	75% max.	10% min.	110% max.	530mW
48	11	4,348	75% max.	10% min.	110% max.	530mW

■ COIL DATA – High-Sensitivity

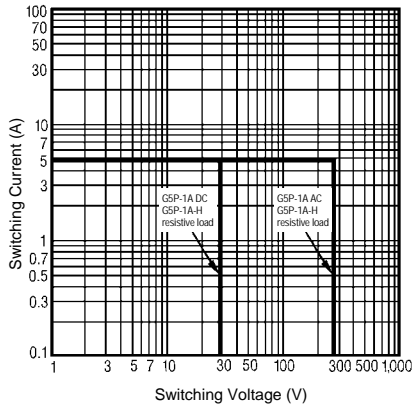
Rated Voltage (VDC)	Rated Current (mA)	Coil Resistance (Ω)	Pickup Voltage (----- % of rated voltage -----)	Dropout Voltage	Maximum Voltage	Power Consumption (approx.)
5	50	100	75% max.	10% min.	110% max.	250mW
6	41.7	144	75% max.	10% min.	110% max.	250mW
9	27.8	324	75% max.	10% min.	110% max.	250mW
12	20.8	576	75% max.	10% min.	110% max.	250mW
24	10.4	2,304	75% max.	10% min.	110% max.	250mW

■ CHARACTERISTICS

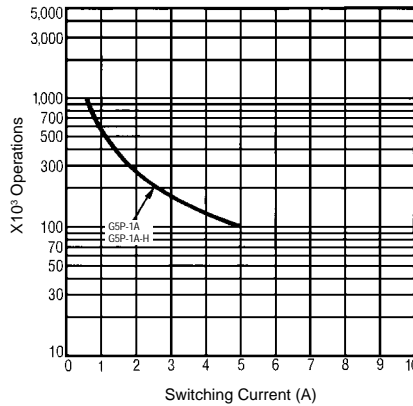
Contact resistance	30 m Ω max.	
Operate time	15 ms max.	
Release time	5 ms max.	
Insulation resistance	1,000 M Ω min. (at 500 VDC)	
Dielectric withstand voltage	4,000 VAC, 50/60 Hz for 1 minute between coil and contact 1,000 VAC, 50/60 Hz for 1 minute between contacts of same polarity	
Impulse withstand voltage	10,000 V, 1.2x50 μ s between coil and contact	
Vibration resistance	Destruction	10 to 55 Hz, 1.5-mm double amplitude
	Malfunction	10 to 55 Hz, 1.5-mm double amplitude
Shock resistance	Destruction	1,000 m/s ² (approx. 100G)
	Malfunction	200 m/s ² (approx. 20G)
Life expectancy	Mechanical	2,000,000 operations min. (at 18,000 operations/hr)
	Electrical	100,000 operations min. (at 1,800 operations/hr under rated load)
Ambient temperature	Operating	-40°C to 70°C (with no icing)
Ambient humidity	Operating	45% to 85%
Weight	Approx. 11g	

■ CHARACTERISTIC DATA

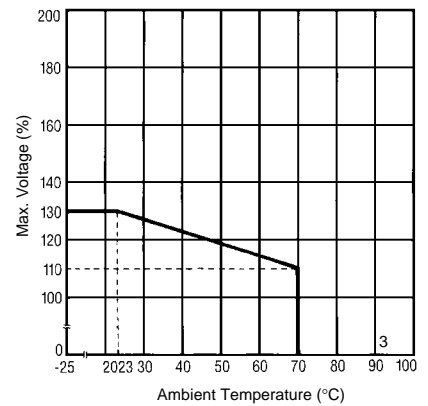
Max. Switching Capacity



Life Expectancy



Ambient Temperature vs. Max. Voltage



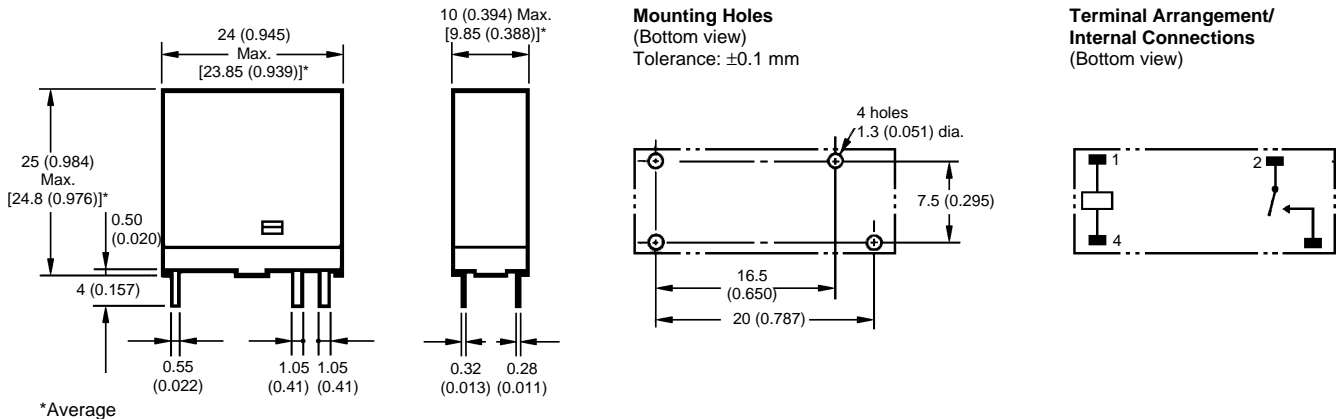
NOTE: The maximum voltage is the permissible peak voltage that can be imposed on the coil. The maximum voltage must not be imposed on the coil continuously.

Dimensions

Unit: mm (inch)

■ SPST-NO TYPE

G5P-1A-___



*Average

■ APPROVALS

UL508 (File No. E41643)/CSA C22.2 No. 14 (File No. LR31928)

Model	Contact Form	Coil Ratings	Contact Ratings
G5P-1A G5P-1A-H	SPST-NO	5 to 48 VDC	5A, 277 VAC, general use 5A, 30 VDC, resistive TV-5 rating

- Note:
- The rated values approved by each of the safety standards (e.g., UL, CSA) may be different from the performance characteristics individually defined in this catalog.
 - In the interest of product improvement, specifications are subject to change.



OMRON ELECTRONICS, INC.

One East Commerce Drive
Schaumburg, IL 60173

1-800-55-OMRON

OMRON CANADA, INC.

885 Milner Avenue
Scarborough, Ontario M1B 5V8

416-286-6465